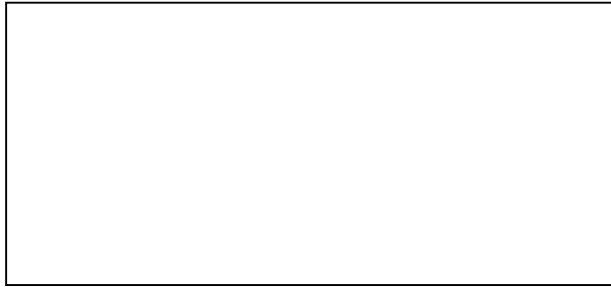


# CPS-3h 10kVA single phase output

## *User Manual*





# INDEX




<b>1. STORAGE</b>	<b>7</b>
<b>2. INSTALLATION ROOM</b>	<b>7</b>
<b>3. PRELIMINARY OPERATIONS</b>	<b>7</b>
3.1 Checking the packaging	7
3.2 Positioning	7
<b>4. SETTING UP THE ELECTRICAL SYSTEM</b>	<b>8</b>
4.1 Protection to be installed:	8
4.1.1 Residual Current Detector (RDC)	8
4.2 Mains, load and battery connections	9
4.2.1 Configuration with single mains supply	10
4.2.2 Configuration with split bypass input	10
4.3 Remote control and signals	10
4.4 Checking connections	14
<b>5. START-UP PROCEDURE</b>	<b>14</b>
<b>6. OPERATIONAL CHECK</b>	<b>14</b>
<b>7. BYPASS FOR MAINTENANCE SWMB</b>	<b>15</b>
<b>8. SWITCHING OFF</b>	<b>15</b>
<b>9. SET UP &amp; CUSTOMISATION</b>	<b>15</b>
<b>10. MODES OF OPERATION</b>	<b>16</b>
10.1 Block diagram	16
10.2 Configuration modes	18
10.2.1 On – line	18
10.2.2 Standby-on / smart active	18
10.2.3 Standby-off	18
10.2.4 Stabiliser (without battery)	19
10.2.5 Frequency Converter	19
10.3 Emergency work	19
10.3.1 Battery operation (not in <u>Stabiliser</u> mode)	19
10.3.2 Operation of the bypass supply	19
<b>11. MAINTENANCE</b>	<b>20</b>
<b>12. SPECIFICATIONS</b>	<b>21</b>
<b>13. PARALLEL VERSION</b>	<b>23</b>
13.1.1 Introduction	23
13.1.2 Installation	23
13.1.3 Initial start up	25
13.1.4 Modes of operation	26
13.1.5 Emergency power off (epo) connection	30

*Thank you for choosing our product.*

The CPSs of this series are high quality products, carefully designed and manufactured to ensure optimum performance.

## Symbols used in the manual

In this manual, some operations are shown by graphic symbols to alert the reader to the dangerous nature of the operations:

	<i>Possibility of serious injury or substantial damage to the device, unless adequate precautionary countermeasures are taken.</i>
	<i>This symbol indicates some important information which must be read with care.</i>
	<i>It is recommended to read this part of the manual.</i>






## Protective equipment to be worn

No maintenance operations must be carried out on the device without wearing the Personal Protective Equipment (PPE) described below.

Personnel involved in the installation or maintenance of the equipment must not wear clothes with wide sleeves or laces, belts, bracelets or other items that may be dangerous, especially if they are metallic. Long hair must be tied in such a way as to ensure that it is not a hazard.

The following signs show the protective equipment that should be worn. The various items of PPE must be selected and sized according to the nature of the hazard (particularly electrical) posed by the equipment.

	<b>Accident prevention footwear</b> Use: always		<b>Protective eyewear</b> Use: always
	<b>Protective clothing</b> Use: always		<b>Helmet</b> Use: When there are suspended loads
	<b>Work gloves</b> Use: always		



## Definition of “operator” and “specialized technician”

The professional figure responsible for accessing the equipment for ordinary maintenance purposes is defined with the term *operator*.

This definition covers personnel that know the operating and maintenance procedures for the equipment, and that have been:

1. trained to operate in accordance with the safety standards relating to the dangers that may arise where electrical voltage is present;
2. trained to use Personal Protective Equipment and to carry out basic first aid.

The professional figure responsible for the installation and start-up of the equipment, and for any extraordinary maintenance, is defined with the term *specialized technician*.

This definition covers personnel that, in addition to the requirements listed above for a general operator, must also:

1. have been suitably trained by the manufacturers or their representative.
2. be aware of installation, assembly, repair and service procedures, and have a specific technical qualification.
3. must have a background of technical training, or specific training relating to the procedures for the safe use and maintenance of the equipment.



## Emergency interventions

The following information is of a general nature.

### First aid interventions

Company regulations and traditional procedures should be followed for any first aid intervention that may be required.

### Firefighting measures



1. Do not use water to put out a fire, but only fire extinguishers that are suitable for use with electrical and electronic equipment.
2. If exposed to heat or fire, some products may release toxic fumes into the atmosphere. Always use a respirator when extinguishing a fire.

### GENERAL PRECAUTIONS



This manual contains detailed instructions for the use, installation and start-up of the CPS . Read the manual carefully before installation. For information on using the CPS , the manual should be kept close at hand and consulted before carrying out any operation on the device.

*This device has been designed and manufactured in accordance with the standards for the product, for normal use and for all uses that may reasonably be expected. It may under no circumstances be used for any purposes other than those envisaged, or in any other ways than those described in this manual. Any interventions should be carried out in accordance with the criteria and the time-frames described in this manual.*

### PRECAUTIONS AND SAFETY REGULATIONS



Refer to the “Safety and Compliance Manual” supplied with the CPS (0MNA141\_NE).

## ENVIRONMENTAL PROTECTION



In the development of its products, the company devotes abundant resources to analysing the environmental aspects.

All our products pursue the objectives defined in the environmental management system developed by the company in compliance with applicable standards.

No hazardous materials such as CFCs, HCFCs or asbestos are used in this product.

When evaluating packaging, the choice of material has been made favouring recyclable materials.

For correct disposal, please separate and identify the type of material of which the packaging is made in the table below.

Dispose of all material in compliance with applicable standards in the country in which the product is used.

<b>DESCRIPTION</b>	<b>MATERIAL</b>
Box	Cardboard
Protective bag	Polythene
Accessories bag	Polythene

## DISPOSING OF THE PRODUCT

The CPS contain electronic cards and batteries which are considered TOXIC and HAZARDOUS waste. When the product reaches the end of its operating life, dispose of it in accordance with applicable local legislation.

Disposing of the product correctly contributes to respecting the environment and personal health.

No reproduction of any part of this manual, even partial, is permitted without authorization. The GTEC Europe reserves the right to modify the product described herein, in order to improve it, at any time and without notice.

## 1. STORAGE

If the CPS is not to be installed immediately it must be stored within the original packaging and protected from moisture and weather. The area used to store the equipment must have the following characteristics:

Temperature:	-25°÷ + 60°C (-13°÷140°F)
Relative humidity:	90% max

The recommended storage temperature is between +10° to 30°C (+50° e 86°F).

## 2. INSTALLATION ROOM

The CPS and its battery cabinet are designed for indoor installation. The following points should be observed when choosing the place of installation:

- avoid dusty environments;
- ensure that the floor is level and able to support the weight of the CPS and the battery cabinet;
- avoid sites that are too narrow as this may impede normal maintenance operations;
- the ambient relative humidity must not exceed 95%, non-condensing;
- avoid positioning in sites exposed to direct sunlight or hot air;
- ensure that the ambient temperature, with the CPS operating, remains between :

operating temperature:	0 ÷ + 40 °C
maximum temperature for 8 hours a day:	+ 40°C
mean temperature for 24 hours:	+ 35°C

*Note: - The recommended operating temperature for the CPS and for the batteries life is between 20 and 25°C.*

To keep the temperature of the installation room within the range indicated above, a system has to be provided to remove the dissipated heat (for the value of the kcal/kW dissipated by the CPS refer to the "SPECIFICATIONS").

## 3. PRELIMINARY OPERATIONS

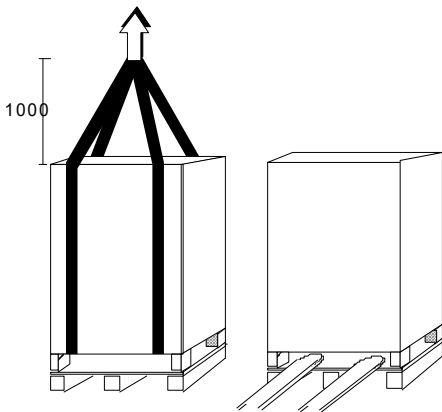
### 3.1 Checking the packaging

When you receive the CPS check that the packaging has not been damaged during transportation. Confirm that neither of the two anti-shock/tilt devices fixed to the packaging have been activated. If this has happened follow the instructions provided on the packaging. Be careful when removing the packaging materials so as not to scratch the CPS cabinet.

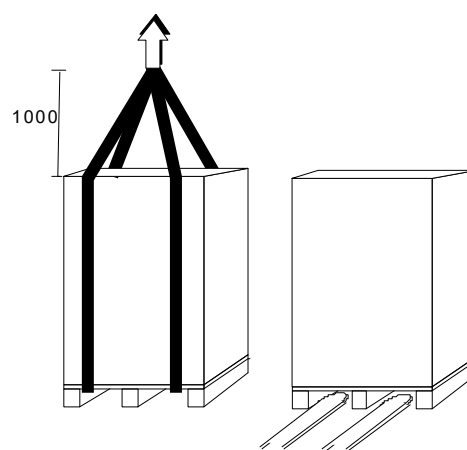
The equipment must be handled with care as it could be damaged if it is dropped or banged.

The CPS is supplied with:

- user instruction manual
- CD-ROM with the CPS management software & communications cable



RIMOZIONE DEL PALLET / TO REMOVE THE PALLET



MOVIMENTAZIONE CON IMBALLO / HANDLING WITH PACKING

### 3.2 Positioning

The air enters the CPS through ventilation grills located in the front door and exit through the fan grills located on the rear panel. The following should be taken into account when choosing a position for the CPS:

- a space of at least one meter must be kept clear in front of the equipment for start-up/shutdown operations and any maintenance operations that may be required
- leave a minimum distance of 60cm between the top of the CPS and the ceiling of the room, to enable adequate circulation of the air exiting from the system

- leave a minimum distance of 30cm between the rear of the CPS and the relative wall of the room, to enable adequate circulation of the air exiting the system
- The AC-DC INPUT/OUTPUT cables enter from the bottom of the CPS. Access to the power and auxiliary terminals and the switchgear is from the front.

For the mechanical dimension of the CPS refer to the installation diagram supplied with the USER MANUAL

The installation diagram identifies:

- the position of the holes in the base plate through which the equipment can be bolted to the floor;
- the base view to design a pedestal (if the CPS is to be located on a raised floor);
- cable entry position;
- position of the fans on the rear of the CPS.

## 4. SETTING UP THE ELECTRICAL SYSTEM

### 4.1 Protection to be installed:

- *Connection table* -

		10			
<b>INPUT</b>					
Imax (*) L1,L2,L3,N	[A]	52/33/33/52			
Fuse gG type	[A]	63			
<b>BYPASS (*)</b>					
Current	[A]	52			
Fuse gG type	[A]	63			
<b>OUTPUT</b>					
Rated current	[A]	44			
<b>BATTERY</b>					
Battery eq. permanent current	[A]	30			

(\*) 120% load, nominal input voltage and battery recharging. External protection can be inserted at the CPS input..

#### *Ac input*

On the incoming mains supply of the the CPS, in the distribution cabinet, must be install a overcurrent protections. This protection shall be made with fuse type as shows in the table or with equivalent circuit breaker. For dual incoming supplies, separate protective devices must be installed for the Rectifier and the Bypass inputs.

#### *Battery*

##### **ATTENTION**

Any battery cabinet must have its own fuses on its output terminals “+” and “-“.

Remember that those fuses must be able to open the dc voltage.

***If using the “Rapid” fuse, type gG/gL NH,***

the MAXIMUM size of the battery fuse must be below 2 times the nominal battery capacity.

***If using the “Ultra Rapid” fuse, type aR NH,***

the MAXIMUM size of the battery fuse must be below 2.5 times the nominal battery capacity.

For example: battery type 150Ah we can use 250A gG/Gl or 315A aR.

#### 4.1.1 Residual Current Detector (RDC)

A differential switch (RCD) must be inserted into the mains supply input (CPStream).

The differential switch located CPStream must have the following characteristics:

- Sensitivity 500mA;
- sensitive to d.c and unidirectional pulses (class B)
- insensitive to transient current pulses



- class A or class B
- delay greater or equal to 0,1s

In the standard version, where there is no isolation transformer in the by-pass line, the neutral input from the mains supply is directly connected to the output from the CPS.

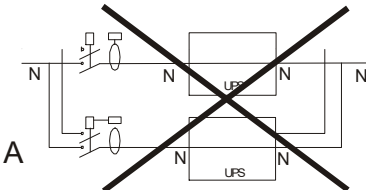
**INPUT NEUTRAL CONNECTED TO OUTPUT NEUTRAL**

**THE ELECTRICAL SYSTEMS LOCATED UPSTREAM AND DOWNSTREAM OF THE CPS ARE IDENTICAL**

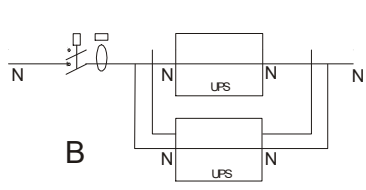
When operating in the presence of mains supply, a differential breaker (RCD) installed on the input will intervene as the output circuit is not isolated from the input circuit.

When operating without mains supply (from battery) the input differential breaker will intervene only if it is able to switch as a result of leakage current without any voltage at its poles (for example a differential breaker with an auxiliary relay is not suitable). However it is possible to install additional differential breakers on the output of the CPS, possibly coordinated with those on the input.

To avoid nuisance tripping, earth leakage monitoring devices used in parallel systems must be located at the input of the entire CPS system as shown in diagram B.




A



B

#### 4.2 Mains, load and battery connections



THE FOLLOWING OPERATIONS DESCRIBED IN THIS CHAPTER MUST BE PERFORMED BY TRAINED PERSONNEL.

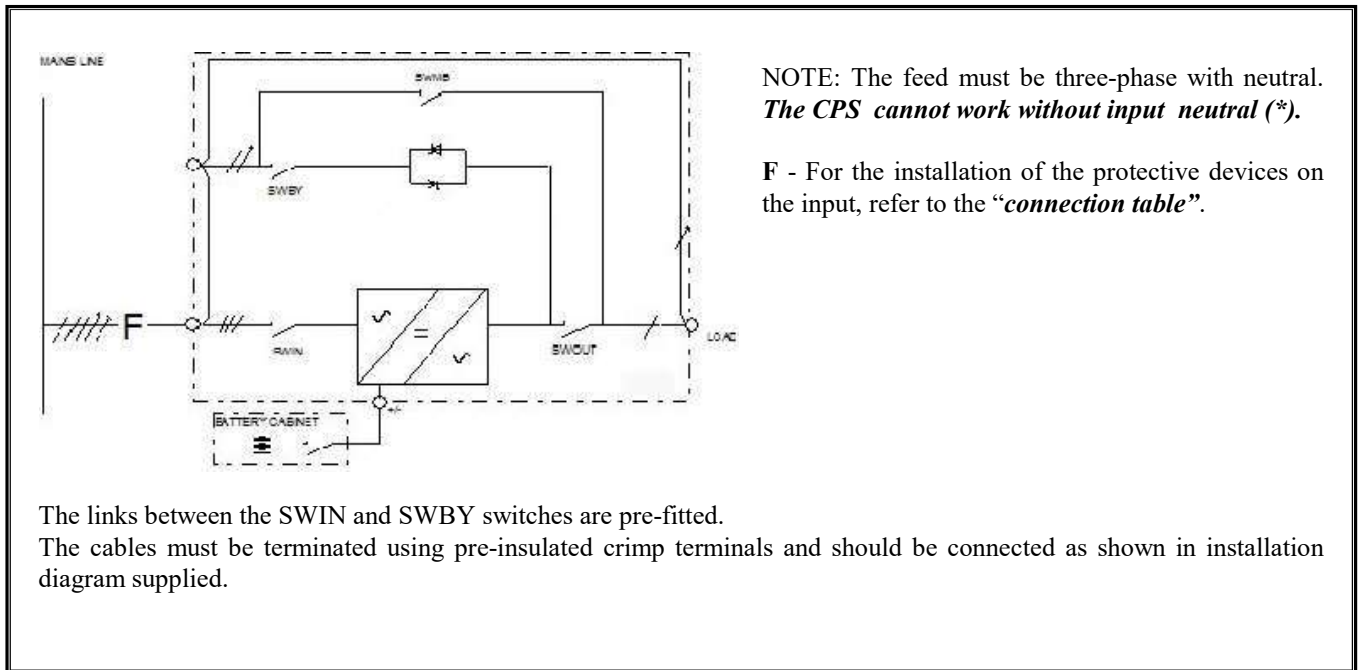
THE FIRST CONNECTION TO BE MADE IS THE GROUND/EARTH CONNECTION TO THE TERMINAL MARKED 'PE'. THE CPS CANNOT OPERATE WITHOUT CONNECTION TO THE GROUND/EARTH SYSTEM.

Before connecting, ensure that that the CPS equipment is totally isolated from any external power sources, battery and mains line, and that all of the CPS switches are open, in particular:

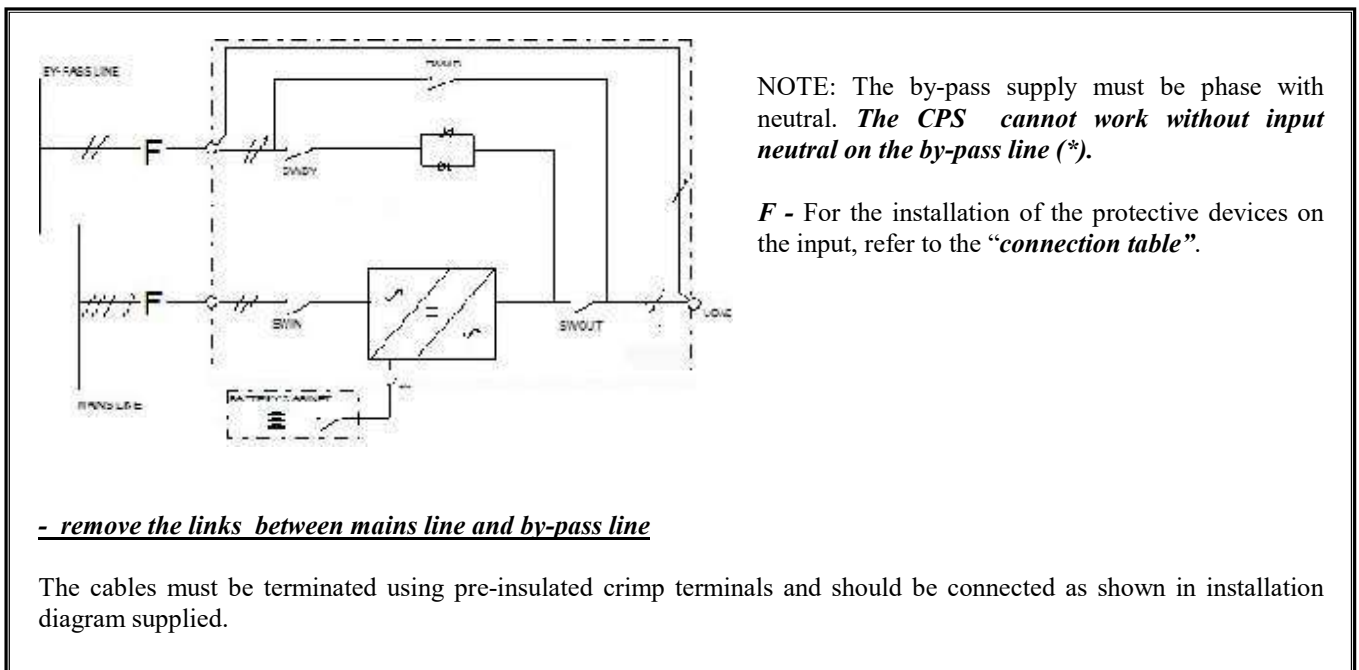
- the CPS mains supply input is completely isolated
- all of the switches on the CPS: SWIN, SWBY, SWOUT, SWMB, are in the OFF position
- the output switch of the battery cabinet is in the open position
- always ensure that no hazardous voltages are present by measuring with a multi-meter.

**For the power cable connection to the CPS terminal board refer to installation diagram supplied with USER MANUAL.**

#### 4.2.1 Configuration with single mains supply

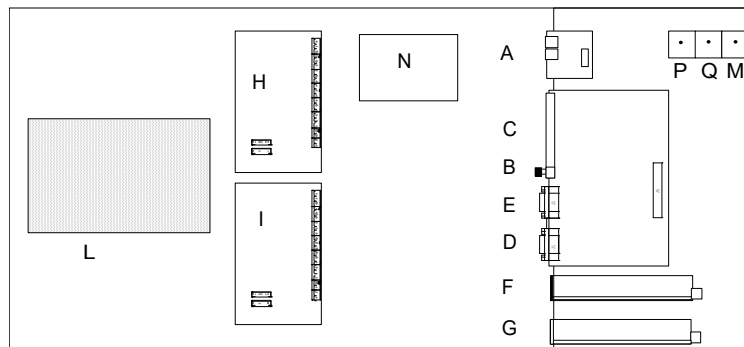


#### 4.2.2 Configuration with split bypass input



#### 4.3 Remote control and signals

The door must be opened to access the interface connectors:



- A- PARALLEL (optional)
- B- EPO (emergency power off)
- C- REMOTE
- D- RS232-1
- E- RS232-2
- F- SLOT 2
- G- SLOT 1
- H- REMOTE ALARM (optional)

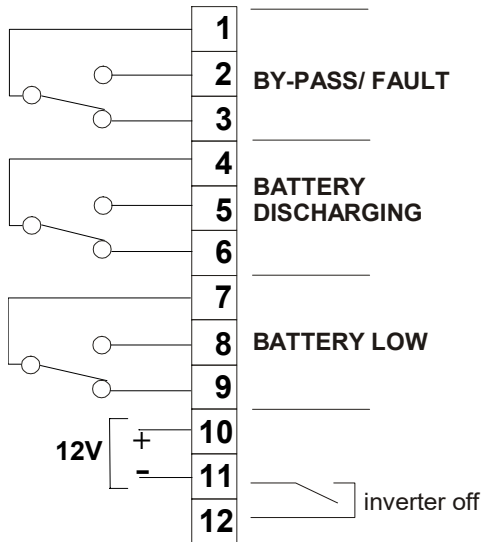
- I- REMOTE ALARM (optional)
- L- MODEM (optional)
- M- Battery temperature sensor (optional)
- N- UGS (optional)
- O- 230V auxiliary output
- P- aux SWOUT
- Q- aux SWMB

**A – PARALLEL board (optional)**

Parallel CPS connection, the CPS can be connected in parallel in order to increase the total output power available. Up to 8 units can be connected in parallel; it is advisable to connect units of the same power. For the connection of parallel units refer to the appendix.

**B - EPO connector (Emergency Power OFF)**

When the jumper on the EPO connector is opened the CPS output voltage is switched off. The CPS is factory supplied with the EPO connector in short-circuit. By using an EPO button or contact to open this connection, it is possible to switch off the CPS output. NOTE: By removing only the supply to the CPS, for instance by opening the CPS input switch, this will only result in the CPS supplying the load from the batteries and therefore the output voltage will still be present.



**C - REMOTE**

This connector provides:

Nr. 1 aux power 12Vdc 80mA(max) (pin 10, 11)

Nr. 3 Volt free alarm contacts

Nr. 2 command for turning the INVERTER and CPS off.

The pin arrangement of the connector is as follows (see figure opposite):

- BATTERY LOW
- BATTERY DISCHARGING
- BY-PASS/FAULT

The contact positions shown are without alarm (NORMAL OPERATION).

**The relay contacts can sustain max a current of 0,5A-42V.**

**REMOTE COMMAND**

- **INVERTER OFF** - BY-PASS with INVERTER OFF command is possible by connecting pin 11 to pin 12 (for at least 2 seconds).
1. If the CPS receives the INVERTER OFF command during "NORMAL OPERATION" mode, the CPS will switch the supplied load onto the BY-PASS supply (the load will be unprotected from any mains failures).
  2. If the CPS receives the INVERTER OFF command during "BATTERY OPERATION" mode, the CPS will switch off (load not supplied)

For both instances shown above, if the jumper is maintained when the mains supply returns the CPS will continue to operate on the by-pass supply. However, if the jumper has been removed, the CPS will start up in "NORMAL OPERATION" mode

**RS232**

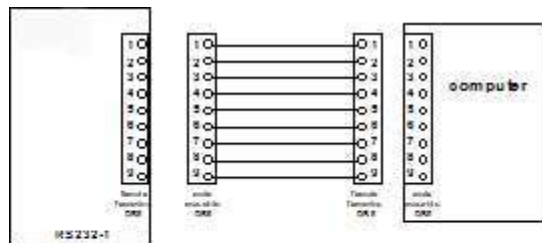
Two connectors for the connection of RS232 are available. The default factory set transmission protocol is as follows:

9600 baud, -no parity, -8bit, -1 stop bit.

The transmission speed can be changed from 1200 to 9600 baud via the CUSTOMISING menu on the control panel.

The recommended transmission speeds for various distances are as follows:9600(baud) - 50m, 4800 - 100m, 2400 - 200m, 1200 - 300m

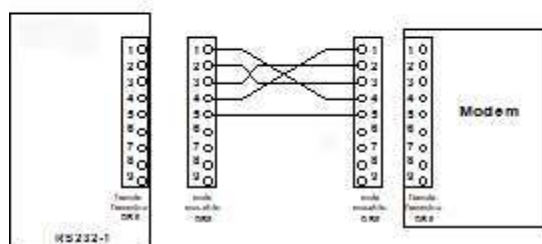
Always use shielded cable, only connect the shield to the housing of the MODEM or PC connector, AWG22-AWG28.



**D - DB9 female marked RS232-1**

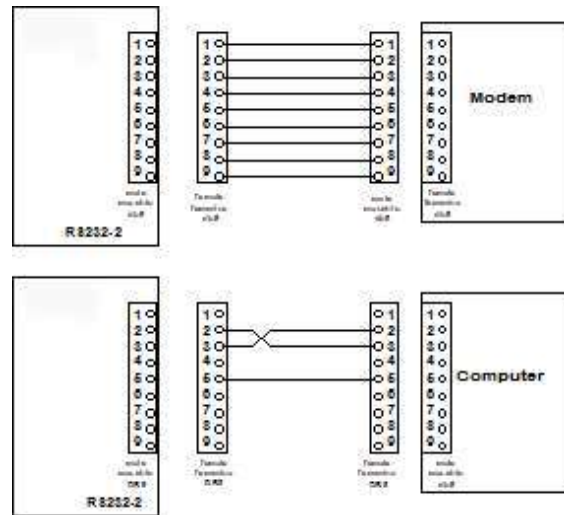
For the computer connection use the RS232 standard cable.

For the modem connection see the diagram.



E - DB9 male marked RS232-2

For the modem connection use the RS232 standard cable.  
For the computer connection see the diagram.



F, G – SLOT 2 and SLOT 1, may be installed the following electronic cards

- NETMAN PLUS 102 card (SLOT 1 - main or SLOT 2 - aux )

This device enables CPS monitoring and management across a LAN using the following network communication protocols:

- TCP/IP (Compatible with Powershield and Watch and Save);
- SNMP (for communication with NMS or PowerNETGuard software);
- HTTP (to view monitoring status via a web browser);
- TFTP (to configure or update the system over the net);

The main function is to integrate the CPS into the net LAN, thus guaranteeing a high degree of reliability of the communication with the servers.

- MULTICOM 302, 352, card (SLOT 1 – main or SLOT 2 - aux)

This device can be used to:

- add two serial RS232 ports onto a CPS;
- MultiCom can be used to monitor the CPS via the MODBUS/JBUS protocol on RS485.

N.B. The ETHERNET or MULTICOM ports are internally connected to the RS232 ports (D & E), the use of these cards prevents the use of the corresponding RS232 port:

- the use of the SLOT 1 (main) prevents the use of the RS232-2,
- the use of the SLOT 2 (aux) prevents the use of the RS232-1.

H, I - REMOTE ALARM (Nr. 2 optional card)

*Provided with 6 output alarm volt free contacts (programmable from the control panel), 2 input (programmable from the control panel) and 1 auxiliary 12V dc voltage, max. 100 mA.*

L - MODEM (optional)

Enables communications between the CPS and the software or monitoring station over a phone line.

N.B. the Modem ports are internally connected to the RS232 ports (D & E), the use of these items prevents the use of the corresponding RS232 port.

M - Battery temperature (optional)

The CPS is supplied with a connection point to connect an external battery temperature sensor kit. This enables the microprocessor to monitor the temperature and regulate the maintenance and charge voltage value of the batteries.

N- UGS - Dual Bus System (optional)

Two independent systems can be configured in Dual Bus with a single or separate power source. The synchronisation option (UGS) keeps the outputs of the two systems constantly synchronised, regardless of the input variations and when the system is powered by the battery. Each system comprises up to a maximum of 4 parallel CPSs.

This system has been designed for configurations that use the STS (Static Transfer Switch) since it guarantees switching from one continuous source to the other without disturbances to the loads.

O- aux output

230V-1A from the CPS output

P-Q- SWOUT e SWMB aux.

To connect external switch auxiliary.

#### 4.4 Checking connections

After connecting all of the INPUT/OUTPUT and terminal wires to the CPS, before repositioning the switch covers, confirm that:

- all of the input/output terminals are tightly secured;
- all fuse holders have the correct fuses inserted and are in the closed position;
- the input/output protection wire (yellow/green earth wire) is correctly connected;

### 5. START-UP PROCEDURE

After completing the electrical connection as indicated above and replacing all of the previously removed panels, proceed to start up the CPS as follows:

- open the CPS door to gain access to the input and the output switches.
- close the switches located on the mains supply input distribution panel, where used
- close the battery cabinet switches (check the polarity of the connection first),
- close the following CPS switches (the identification is provided on the switch cover panel):  
SWIN (input switch), SWBY (by-pass line switch), SWOUT (output switch).

**NOTE:** the SWMB switch (maintenance bypass switch) must be left open during normal operation. The SWMB is only closed when it is necessary to bypass the CPS thus connecting the output load directly to the incoming mains supply, therefore allowing the CPS to be maintained.

After carrying out the above-mentioned operations, you will immediately hear the hum of the fans, and for approximately one minute, the noise of the buzzer.

Press key 1 twice, to select the language and then press key 8, to return to the main menu. The message NORMAL OPERATION will appear. Manually perform a battery test: by pressing key 3 on the control panel, followed by key 2 (BATTERY TEST). When the test has finished and the CPS is operating correctly, with the battery connected, the green IN LED (INPUT) and the green OUT LED (OUTPUT) lights should be illuminated steady. The message NORMAL OPERATION should appear on the first line (top) of the display panel. The model of the CPS, according to the following code, will appear on the second line (bottom) in the left-hand corner:

X000YZZ

X	CPS model
000	output power [kVA]
Y	output frequency: Y = _ output 50Hz Y = A output 60Hz
Z	configuration mode: Z = __ output frequency = input frequency Z = _C frequency converter with battery Z = KS frequency converter without battery Z = _N standby on Z = _F stand by off Z = S stabiliser Z = P or p parallel version Z = B or b parallel version with only one battery

### 6. OPERATIONAL CHECK

After completing the start-up operations and waiting a few hours to allow the batteries to charge, with the CPS in normal operation, a Mains failure simulation may be carried out by switching the incoming mains supply off. Once the mains supply has been switched off you will immediately hear the sound of the buzzer (if activated), during this the green OUT LED and yellow BATTERY LED will be illuminated constantly on the control panel.

Confirm that the protected load is working; during this operation the power supplied to the protected load is being supplied by the energy stored within the batteries.

After a few minutes of battery operation the CPS can be returned to normal operation by re-connecting the mains supply input. Once in normal operation mode the green IN and OUT LED's will be illuminated constantly on the control panel and the batteries will be recharged automatically.

## 7. Bypass for maintenance SWMB

Note: for the CPS in parallel configuration see the “by pass for maintenance” paragraph in the “Parallel version” chapter. Carry out the following series of operations to put the CPS into maintenance bypass whilst maintaining the power to the load:

1. Ensure that the CPS is indicating BYPASS or NORMAL OPERATION
2. Close the SWMB switch (the control logic will automatically disable the inverter).
3. Open all of the other switches (SWIN, SWOUT, SWBY) and the battery cabinet switches. Only the SWMB switch remains closed (maintenance bypass supply). The control panel will be off and the connected load will be supplied via the bypass line (during maintenance). NOTE

NOTE: After disconnecting the mains (AC) and battery (DC) supplies, authorised service personnel must wait at least **ten minutes** for capacitor bleed off before attempting to gain internal access of the CPS.

During this mode the connected load is not protected by the CPS, therefore any disturbances or failures will be passed onto the connected load.

Once the maintenance operations have been completed, to restart the CPS: close SWIN, SWOUT, SWBY and the battery cabinet switches, wait for a few seconds for the CPS to start, and then open the SWMB. The CPS will automatically return to NORMAL OPERATION.



### **WARNING:**

do not use SWMB switch when the CPS is setting as frequency converter.  
**NOTE:** in order to prevent switch use it should be blocked with a padlock.

## 8. Switching off

This operation must only be carried if the load is to be switched off. In a parallel CPS system each step of the procedure must be performed for each CPS module before carrying out the next step. The following operations will switch off the power to the connected loads.

- open SWOUT, output switch;
- open SWIN, rectifier input switch;
- open SWBY, bypass line input switch;
- open the external battery circuit breaker;

The load is now be switched off. After a few seconds the signalling control panel will also be extinguished. Confirm that no voltage exists on the terminals using a multimeter.

NOTE. neutral cable is not interrupted by the switches (the neutral input from the mains supply is directly connected to the output from the CPS).

## 9. Set up & customisation

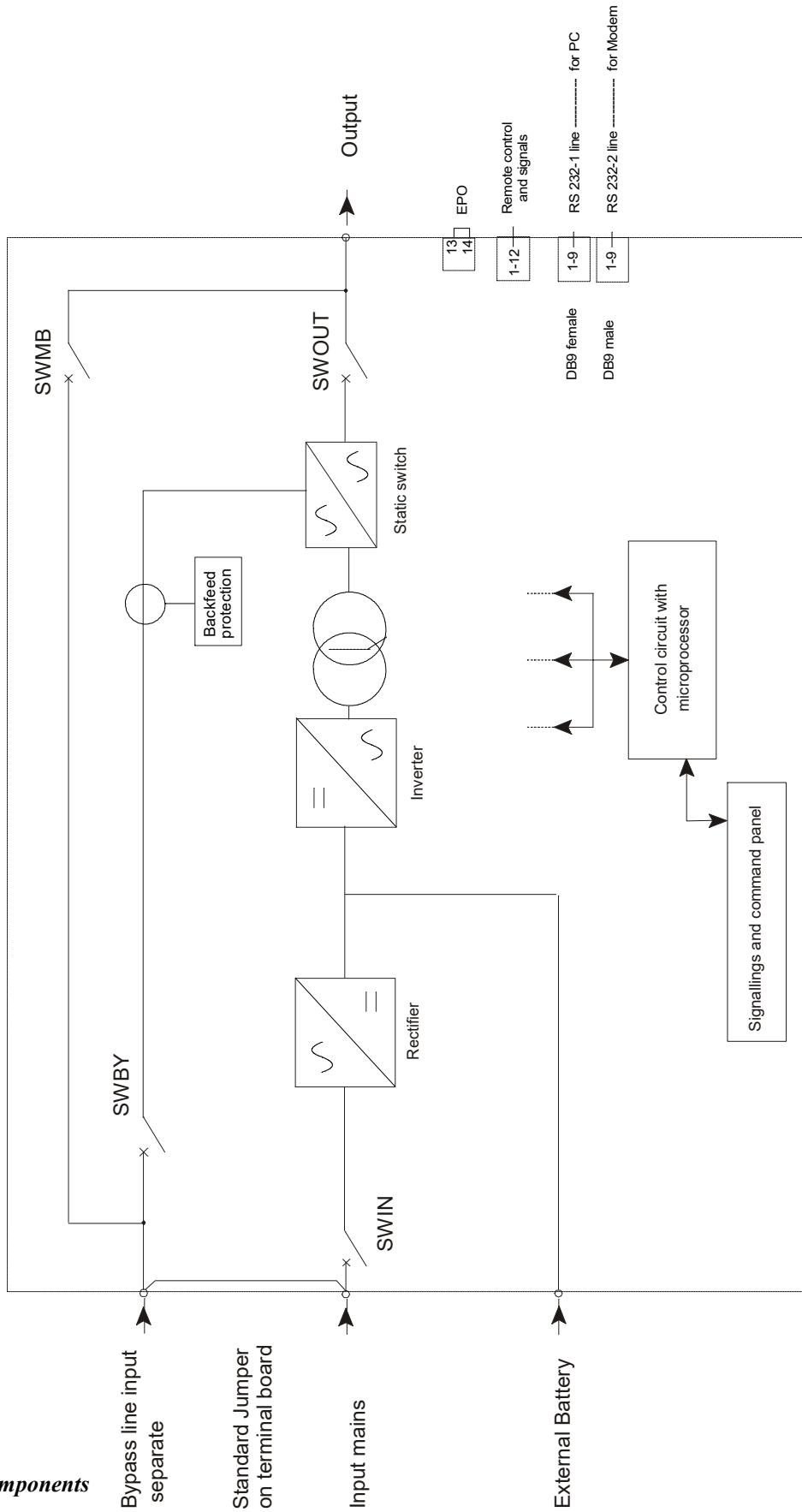
By pressing key 3 from the main MENU ("COMMANDS"), followed by key 5 ("CUSTOMISING") and then by inserting the customisation access code 436215 using the CONTROL PANEL, it is possible to modify the operational mode of the CPS (refer to the "MODES OF OPERATION" paragraph) and to alter the pre-set electrical configuration of the various fields. It is possible to customise the following parameters:

- NOMINAL OUTPUT VOLTAGE;
- BYPASS line input voltage and frequency tolerance;
- BYPASS line input in STANDBY-ON mode accepted voltage and frequency tolerance;
- BATTERY configuration and low battery pre-alarm for the end of the battery discharge;
- CPS switch to the bypass line when the output power is less than the set value (AUTO-OFF power);
- scheduled daily switch off (AUTO-OFF time);
- RS232-1 and RS232-2 port transmission baud rate;
- CPS identification number.

To make changes to the configurable fields refer to the information shown in the "key menu 3,5,code,....." in the Control Panel paragraph.

# 10. Modes of operation

## 10.1 Block diagram



Block diagram components



The CPS consists of the following subassemblies:

## RECTIFIER

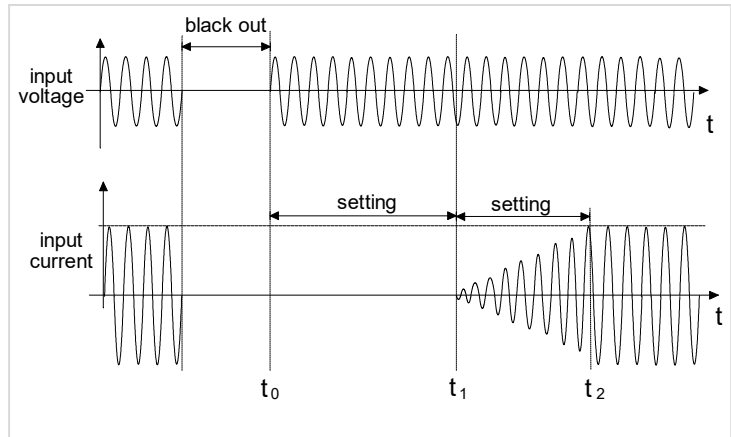
The rectifier represents the input stage and transforms the alternating voltage from the mains supply in direct voltage.

From the display panel can be programmed start up of the rectifier in particular:

- the start up delay  $t_0 - t_1$  from 0 to 120s (that allows to a not contemporary starter more CPS connects you to the same mains)
- power walk-in  $t_1 - t_2$ , from 0 to 120s (can be used a smaller Motor Generator size in CPS input).

The functions carried out by the rectifier are the following:

- supplying the inverter with direct current.
- automatically charging the battery.
- optimize the input power factor with a automatic battery charge system.



The cyclical battery charging is done in two phases.

The first phase recharge the batteries with limited current and increasing voltage (to the value of charge voltage “Vbat\_max”). This phase comes maintained until to the full charge of the battery (Batt=100%Ah), that is checked through the measure of the input current in the battery.

In the second phase, with battery full charge, it is proceeded to deactivate the charge of the battery so as to obtain the zero setting of every residual current in battery to the aim to lengthen the battery life and the predisposition of the rectifier for the optimization of the input power factor.

Moreover every day the system carries out a automatically cycle in order to verify the state of charge and reintegrate the normal self discharge of the battery.

## BATTERY (EXTERNAL)

The batteries form the energy reserve to power the load in the absence of the mains power supply to the CPS. They are housed in dedicated cabinets. The battery cabinet **must be supplied** with the electric protection and sectioning dispositive (automatic breaker or switch with fusibles).

## INVERTER

This represents the output stage and converts the direct voltage from the RECTIFIER or BATTERY into a stabilised sinusoidal alternating voltage. The inverter output and the load are isolated from the input and battery.

The inverter continually operates and the load connected to the output of the CPS is always supplied by the INVERTER (in NORMAL OPERATION).

## STATIC SWITCH

This device enables the instantaneous automatic or manual switching of the power supply from the protected line (INVERTER output) to an unprotected line (BY-PASS supply) or vice versa.

Back feed protection is inserted as standard in the SCRs.

## SWMB

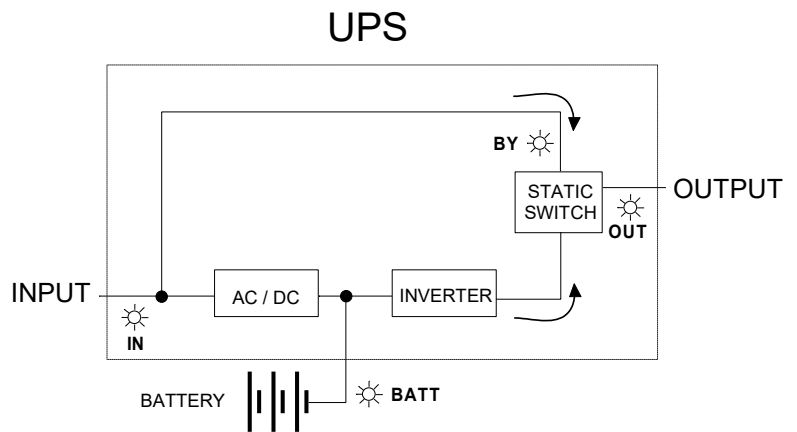
Maintenance bypass switch, by closing the SWMB and opening all of the other switches SWIN, SWBY, SWOUT the CPS is isolated whilst maintaining a supply to the load. This operation is necessary when you have to carry out maintenance operations inside the equipment, without disrupting the power supplied to the load.

*With the SWMB closed and all of the other switches open, there is no voltage inside the equipment (voltages are present only in the terminal board and in the switches area, N.B. the neutral conductor is not interrupted.)*

The manual bypass line is sized for the nominal power of the CPS.

## 10.2 Configuration modes

The CPS is pre-factory configured to start in On-line mode. In order to configure the various operation modes refer to the “CUSTOMISING” paragraph in the Control Panel section. The label UPS must be considered as CPS.



SWIN, SWBY, SWOUT close and SWMB open.

The CPS can be configured for various modes of operation:

### 10.2.1 On – line

When the incoming mains supply is present the connected load is supplied by the inverter which takes power from the mains supply via the rectifier. The Rectifier also charges and maintains the connected batteries.

When the mains supply fails the connected load remains supplied by the inverter which now takes the power from energy stored in the batteries (battery operation).

### 10.2.2 Standby-on / smart active

When the **Standby-On** is active the letter “N” is present on the second line of the display panel, next to the CPS model, in the MAIN MENU.

When **Smart Active** is set on the first line of the BASE MENU’ is show SMART A and the letter “M” is present on the second line of the display panel.

In standby on or smart active mode the load is supplied from the bypass line (if present), if a problem or fault occurs with the bypass line the load is immediately transferred onto the output of the inverter.

During **Standby-On** mode the inverter to bypass line transfer time can be configured from between 0 to 180 minutes (delayed). For the transfer to occur the bypass supply must remain within the accepted tolerance for the duration of the time set. In **Standby-On** mode the RECTIFIER remains operational and maintains the battery charge. If the BYPASS supply voltage or frequency exceeds the excepted tolerances, the load is automatically switched onto the output of the INVERTER. The **Standby-On** mode operation reduces the energy lost by the system (higher efficiency). Before enabling this function confirm that the connected load can accept an interruption in the supply of between 2-5 ms in the event of a mains supply failure.

During **Smart Active** mode the CPS will automatically switch between the **On-Line** or **Standby-On** modes, the mode of operation selected is dependent on the quality of the incoming mains supply. In order to configure the operation of the **Smart Active** mode, refer to the “OPERATION IN SMART ACTIVE CUSTOMISING”.

Once the **Smart Active** mode is enabled the bypass line is monitored for a few minutes. After this time if the value of the input voltage and frequency remains within the accepted tolerances the output is automatically switched onto the bypass supply. If the input supply is not within the accepted tolerances the load remains supplied by the inverter. The CPS will monitor the incoming supply and if the supply remains within the accepted tolerances for more than one hour the load will be switched onto the bypass supply. The benefit of these operation mode is the efficiency improved up to 98%.

### 10.2.3 Standby-off

When the **Standby-Off** mode is active the letter “F” is present on the second line of the display panel, next to the CPS model, in the MAIN MENU.

In **Standby-Off** mode when the mains supply is present the output from the CPS is switched off. The RECTIFIER remains operational and maintains the battery charge. The connected load is only supplied when the input voltage fails (start up within 500ms). If the mains supply voltage or frequency exceeds the acceptable limits, the connected load is automatically supplied by the INVERTER output. Once the voltage or frequency returns to within the acceptable limits the CPS will return to **Standby-Off** mode.

### 10.2.4 Stabiliser (without battery)

When the ***Stabiliser*** mode is active the letter “S” is present on the second line of the display panel, next to the CPS model, in the MAIN MENU.

When the mains supply is present the connected load is supplied. The connected load is supplied by the stabilised inverter output which takes the necessary power from the mains supply via the rectifier. No batteries are connected and in the event of the mains supply failing the connected load will be switched off.

### 10.2.5 Frequency Converter

When the ***Frequency converter*** mode is active the following letters shown below are present on the second line of the display panel, next to the CPS model, in the MAIN MENU (depending on the method of operation):

A C	for 60Hz output converter with battery
AKS	“ “ without battery
C	for 50Hz output converter with battery
KS	“ “ without battery

When the mains supply is present the connected load is supplied. The connected load is supplied by the stabilised inverter output which takes the necessary power from the mains supply via the rectifier. The bypass line is disabled and if no batteries are fitted the connected load will be switched off if the supply fails.



***WARNING:***

***do not use SWMB*** switch when the CPS is setting as frequency converter.

***NOTE:*** in order to prevent switch use it should be blocked with a padlock.

## 10.3 Emergency work

- BATTERY OPERATION (not in STABILISER MODE);
- BYPASS OPERATION (from the mains supply);
- MAINTENANCE BYPASS (SWMB).

### 10.3.1 Battery operation (not in Stabiliser mode)

The CPS switches to battery operation when the incoming mains supply fails, or when the incoming mains supply is not within the acceptable operational tolerance for the CPS (under or over voltage and frequency). During this mode of operation the energy required to supply the power to the connected load is taken from the previously charged batteries. The CPS display panel provides an estimated battery autonomy time which is calculated on the basis of the power being delivered to the load and the charge status of the batteries. The value displayed is an estimation which will change depending on the value of the connected load during the discharge. It is possible to increase the battery autonomy by removing some of the connected equipment, therefore reducing the load applied. When the remaining time falls below the preset value for the LOW BATTERY alarm, the frequency of the buzzer will increase and the yellow BATT led will flash. During the LOW BATTERY condition it is advisable to save any work or stop any processes that can be affected if power to these loads is lost. Once the batteries become exhausted the CPS will be automatically switched off and power to the connected load will be disconnected. When the mains supply returns the CPS will automatically switch on and recharge the batteries.

NOTE. The CPS cannot be started from battery.

### 10.3.2 Operation of the bypass supply

This can either be a temporary or permanent state caused by an overload or fault;..

The CPS can switch to this condition (during this state the load is not protected if a mains failure occurs) for one of the following reasons:

- BYPASS command active (manual or automatic);
- Excessive load on the output (overload) of the CPS; refer to the “ALARM MESSAGES” paragraph in the “SIGNALLING PANEL FUNCTIONS” section; the CPS return in NORMAL OPERATION automatically after that you remove the overload condition
- CPS fault (in the case of a fault contact the service centre).

On the control panel, the yellow BYPASS LED will be illuminated steady if a command is present, and will flash if an overload or fault has caused the bypass.

If the CPS is overloaded you will have to intervene to reduce it.

## 11. MAINTENANCE

The CPS have been figured out and realized in order to last for a long period working in tough and strict conditions as well. Anyway they are high power equipment which need to be periodically checked up. In specific some components as batteries, fans and in some cases electrolytic capacitors have their own life cycle that's one more reason to make a check up on this parts periodically and eventually replace them. Therefore you are invited to plan an estimated maintenance program, which will be looked after from a specialized and authorized staff.

The GTEC Europe customer care service stays at your disposal to show you the several personalized options you can get for your estimated maintenance.

### CAUTION



Maintenance inside the CPS should only be done by qualified personnel and trained by the manufacturer. The CPS system is designed to supply power EVEN WHEN DISCONNECTED FROM THE MAINS SUPPLY.

**High voltages are present inside the equipment even when the input and battery switches are open.**

After disconnecting the mains (AC) and battery (DC) supplies, authorised service personnel must wait at least **ten minutes** for capacitor bleed off before attempting to gain internal access of the CPS.

#### Preventive maintenance

Carry out the following steps periodically:

- Ensure that the air inlets (the grill on the front of the door and in the bottom of the cabinet) and the air outlets (on the top of the CPS cabinet) are not blocked or obstructed.
- Ensure that the CPS is operating normally (the display panel shows "NORMAL OPERATION"). If an alarm is present consult the user manual for an explanation after that, contact the service centre.
- Confirm that environmental conditions for the CPS are within the parameters shown in SPECIFICATIONS paragraph.

#### Battery maintenance

The CPS automatically checks the battery efficiency every 24 hours and raises an alarm if it detects a lower efficiency than that calculated on the basis of the memorised capacity (refer to key menu 3.2 BATTERY TEST).

The battery life will depend on the operating temperature and the number of charging and discharging cycles performed

The battery capacity is not constant and will increase after a few charging and discharging cycles, it will remain constant for several hundred cycles, then it will finally decrease.

Battery maintenance should include:

- Maintaining the operational temperature in the range of 20-25°C.
- During the first month of use perform two or three charge-discharge cycles.
- After the first month of use perform this operation every six months.

Since the batteries are an energy source in themselves, opening the Battery Circuit Breaker does not de-energise the voltage within the batteries. **DO NOT ATTEMPT TO ACCESS ANY INTERNAL AREA OF THE BATTERIES YOURSELF. THE VOLTAGES ARE ALWAYS PRESENT IN THE BATTERIES.** If you suspect that the batteries are faulty, you should contact the service centre.

### CAUTION



Contact the service centre for battery maintenance. Any battery replacement should be done by qualified personnel. Batteries that have been removed/replaced must be taken to a specialised disposal and recycling facility. The batteries are classified as toxic waste by law.

## 12. SPECIFICATIONS

<b>SYSTEM</b>		<b>10</b>
rated power:	[kVA] [kW]	10 9
leakage current max.:	[mA]	500
remote signalling:		three volt free contacts (battery low, battery discharging, by-pass/fault), aux output 12Vdc 80mA
standard:		EPO (emergency power off), Nr.2 x RS232 interfaces Nr.1 I/O expander card
optional:		parallel, 2 x netman plus or multicom cards 2 x remote alarm cards, modem, battery temperature sensor.
operating temperature:		0 ÷ + 40 °C
maximum temperature for 8 hours a day		+ 40°C
mean temperature for 24 hours		+ 35°C
relative humidity at +20°C		20÷90 %
cooling:		forced ventilation
maximum operating altitude:		1000 m at rated power An (-1% An for each 100m over 1000m) max 4000m
acoustic noise, as measured at 1m from the front of the equipment:		65 dBA
input cable :		from the bottom

<b>RECTIFIER</b>		<b>10</b>
rated voltage:	[V]	400V 3 phase
voltage tolerance:		-25% +20% (-10% +20% for battery recharge)
rated frequency:	[Hz]	50 / 60 Hz auto sensing
frequency tolerance:	[Hz]	45 ÷ 65
rated input current (*):	[A]	19
power walk-in 0-100%		0÷120s (configurable)
power walk-in delay timer		0÷120s (configurable)
standard battery type:		lead sealed
blocks (12V)/ element number (lead sealed):		32/ 192
battery rated voltage:		396 V
ripple voltage:		< 1%
static stability of the rectifier output voltage:		± 1 %
maximum recharge battery current at:	[A]	
	nominal load	13
	load 90%	15
	load 80%	17
	load ≤ 72%	19
current distortion, power factor (THDV < 2%) (*):		25%, ≥ 0,9

(\*) load 100%, rated input voltage, and full charge battery.

<b>INVERTER OUTPUT</b>		<b>10</b>
rated power p.f. 0,9 inductive:	[kVA]	10
active power pf 1:	[kW]	9
rated voltage:	[V]	230 (220 – 240) phase + N
rated current (with 400V output):	[A]	44
phase voltage setting:		208 ÷ 242 V
rated frequency:	[Hz]	50 / 60
wave form:		sinusoidal
output voltage distortion		
	Linear load:	≤ 2%
	Non linear load (reference load EN62040-3):	≤ 3 %
output voltage static stability:		± 1%
stability voltage at transient state (load 0 to 100%)		as EN 62040 - 3, class 1
frequency stability:	without synchronisation	± 0,05 %
	with synchronisation	±2 % ( configurable ± 1 ÷ 6 % from the control panel)
frequency slew rate		1Hz/s
three-phase transient power overload:		
	[Power/power rating]	120% continuous 130% for 60', 145% for 10', 170% for 1'
single-phase transient overload:		200% rated power for 7"
short circuit current phase-phase (**):		2 In for 1s
short circuit current phase-neutral (**):		3 In for 1s

(\*\*) without bypass line

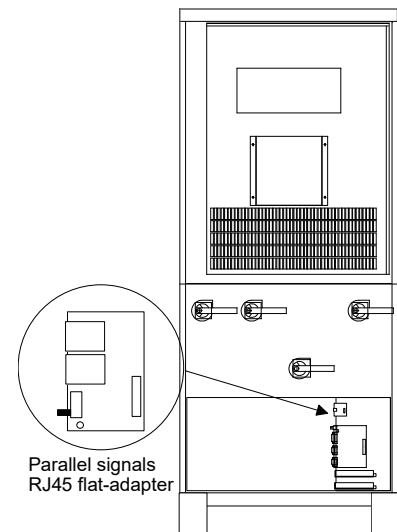
<b>BY PASS LINE</b>		<b>10</b>
rated output current (with 400V output):	[A]	44
rated voltage:	[V]	230 (220-240) phase + N
input voltage tolerance:		±15 % (configurable ± 10 % , ± 25 % from the control panel)
rated frequency:	[Hz]	50 / 60
frequency tolerance:		±2 % (configurable ±1 ÷ ± 6 % from the control panel)
“STAND-BY ON” (by-pass to inverter) transfer switch time:		2 ÷ 5ms
i <sup>2</sup> t SCR bypass (25°C, 8÷10ms)	[A <sup>2</sup> s]	11 k
overload	[Power/power rating]	120% continuous 130% for 60', 145% for 10', 170% for 1'
current admitted (for short time): I/In		
	1s	4,7
	500ms	4,6
	200ms	5,3
	100ms	5,8
	10ms	8
standard:		Backfeed Protection; bypass line separable

### 13. Parallel version

#### 13.1.1 Introduction

It is possible to connect multiple CPS systems parallel in order to increase the reliability and/or the total output power availability. It's advisable to always connect units of the same power rating. When using multiple CPS, the connected load is shared amongst the individual systems, this method increases the overall reliability of the supply to the connected load as the load is being supplied from multiple systems instead of a single system. The reliability is further increased by adding an additional redundant CPS; therefore if one of the CPS systems fails the load will continue to be supplied by the remaining systems without any disruption being caused. A redundant system is created by adding an additional CPS to the minimum number of CPS necessary to supply the load, thus if a unit is disconnected or fails the remaining units will adequately support the load. The CPS connected in parallel are controlled via a card, this card exchanges data and synchronisation information which ensure a stable and controlled operation. The information exchange between the CPS systems is via a data cable which forms a closed loop connection. The closed loop connection creates a redundant signal cable which enables all of the CPS systems to continue to operate even if one of the cables are damaged, an added benefit of this system is that it allows the hot insertion or hot disconnection of a CPS, without the need for down time. Each CPS uses its very own dedicated controller that continuously communicates with the other systems to ensure perfect operation and management of the power. The data cable is used to transmit all of the necessary information from the "Master" CPS to the "Slave" CPS, the data cables are fully opto isolated, this provides total electrical isolation between the control systems.

When the parallel system is initialised the first CPS to start assumes the roll of the "Master" which then takes control of the "Slaves". If the "Master" unit malfunctioned the control is automatically switched over to one of the "Slaves" which becomes the new "Master". The system requires (in standard form) that every unit connected is provided with its own battery, however it is possible to configure the CPS systems to share a common battery (by inserting the appropriate code on the control panel).



#### 13.1.2 Installation

##### 13.1.2.1 - Parallel signals RJ45-flat-adaptor card

may be used two RJ45 card type with different switch (type 1 or 2)

**Type 1**

**Type 2**

side led

side connector

J1	external connection RJ45 type	
J2	external connection RJ45 type	
J3	internal connection	
SW1	side connector (type 1) side led (type 2)	<b>Start position</b>
	side led (type 1) side connector (type 2)	
Led	lit	switch in Start position
	off	switch in Cont position

### 13.1.2.2 Firmware update

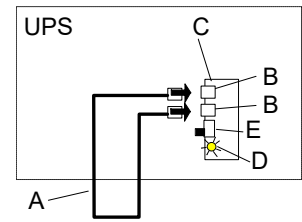
All of the CPS connected together must have the same firmware release.  
Press key 7 on the control panel to display the firmware release.

### 13.1.2.3 Signal connection

The labels UPS1, UPS2, UPS3 in the pictures must be considered as: CPS1, CPS2, CPS3

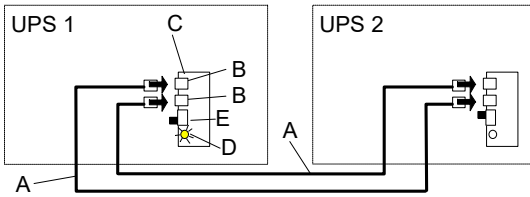
Example of the signal connections of a single CPS

- A CPS parallel cable
- B RJ45 connectors
- C Parallel signal RJ45-flat-adapter card
- D litted (lit)
- E SW1 Start position



Example of the signal connections between two CPS

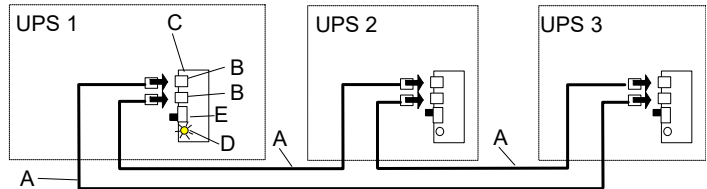
- D LED (lit) CPS1, LED (off) CPS2
- E SW1 Start position CPS1, SW1 Cont position CPS2



Example of the signal connections between three CPS

- D LED(lit) CPS1, LED(off) CPS2 and CPS3
- E SW1 Start position CPS1, SW1 Cont position CPS2 and CPS3

Only an additional CPS PARALLEL CABLE is required to connect more CPS.



**The connectors must remain connected even if the CPS is switched off**

### 13.1.2.4 Power connection "input/output CPS" AC

To calculate the dimensions of the required cabling refer to the "SETTING UP THE ELECTRICAL SYSTEM" section. The dimension of the cables must be rated for the individual units being connected.

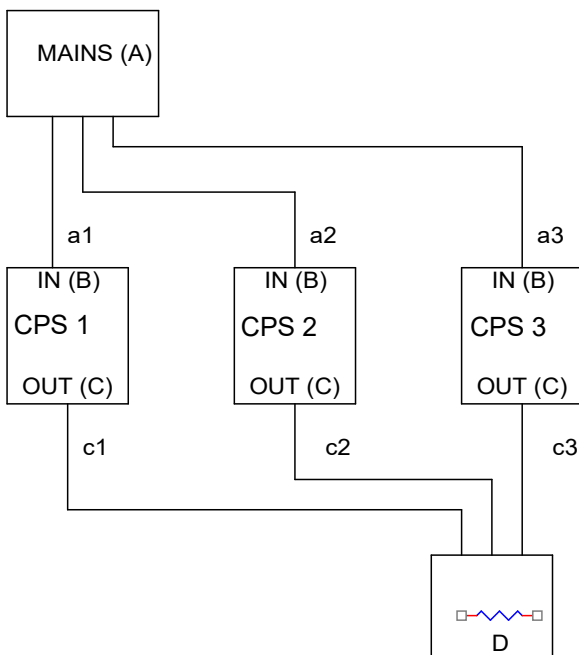
Connect the input to each of the CPS as follows:

- Connect the mains supply phases L1, L2, L3 and N to the inputs of each of the CPS.

Connect the CPS output as follows:

- Connect the output load phases L1, L2, L3 and N to the outputs of each of the CPS.

The following diagram shows an example of a parallel system connection using three units.



- A) Mains supply
- B) CPS input terminal
- C) CPS output terminal
- D) Load

a1,a2,a3,c1,c2,c3) Cable length

When carrying out the power connections to the CPS, it is important to adhere to the following (this is to ensure equal power sharing during bypass operation):



- The sum of the total length of the input and output cables must be the same for each unit. Therefore:

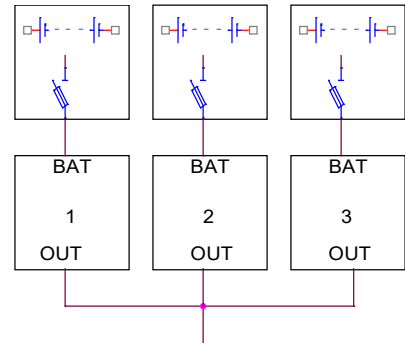
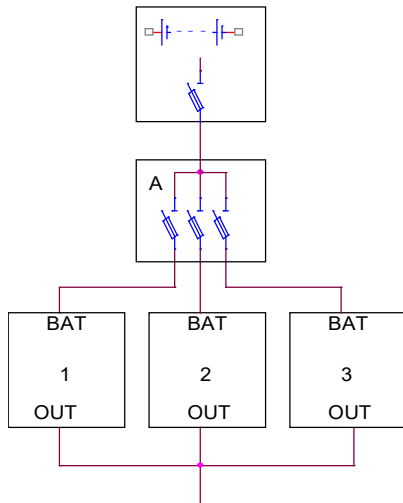
$$a1+c1 = a2+c2 = a3+c3$$

N.B. If you want to connect a isolators on the output of each CPS refer to paragraph “additional sectioning”.

### 13.1.2.5 Battery Connections

#### 13.1.2.6 1) Individual batteries”standard connection”

BAT) CPS battery input connection  
 OUT) CPS output connection  
 1,2,3) Parallel CPS.  
 Each CPS has a battery connected



#### 13.1.2.7 2) Single battery (enter code “467123”)

##### Star connection

BAT) CPS battery input connection  
 OUT) CPS output connection  
 1,2,3) Parallel CPS.  
 A) Battery switch cabinet terminal board (optional)

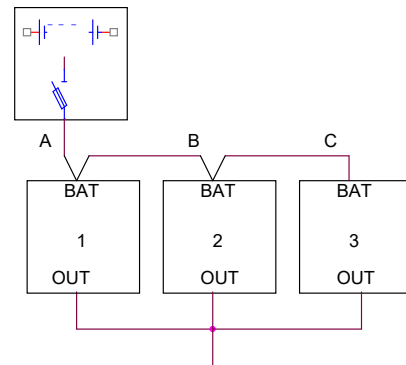
The battery cables must be rated to suit the individual CPS  
**Use this solution for a high battery discharge current.**

##### Series connection

BAT) CPS battery input connection  
 OUT) CPS output connection  
 1,2,3) Parallel CPS.  
 A,B,C) Battery connections

Wire “A” must be sized for the total CPS battery current  
 (CPS1 current + CPS2 current + CPS3 current)  
 Wire “B” must be sized for the CPS2 current + CPS3 current  
 Wire “C” must be sized for the CPS3 current

**Use this solution for a low battery discharge current.**



### 13.1.3 Initial start up

#### **WARNING:**

**When closing the SWMB always observe the following precautions:**

- Do not close the SWMB on a CPS that is switched off and in parallel with other units in normal operation. This operation can cause the CPS to fail, and create a dangerous voltage on the CPS output.
- The SWMB can be closed when a CPS is in "Normal Operation" provided that the information in the paragraph "FUNCTIONING MODES" is followed. It is possible to lock the SWMB switch to prevent unauthorised use.

Before starting the parallel system for the first time it is necessary to carry out several tests in order to verify that the connection between the CPS are correct.

- A) Check that all of the switches (SWIN, BATTERY, SWBY, SWOUT and SWMB) on each CPS are open.

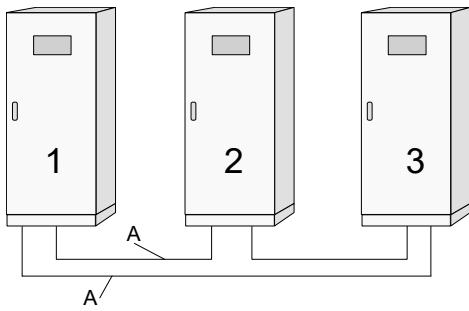
- B) Close the SWMB on a single unit and confirm that on the other units the:
- ❑ Voltage between the corresponding input and output terminals of each CPS is  $<2V_{ac}$ . If the voltages exceeds this value, locate and correct the error.
  - ❑ Following this test open the SWMB.
- C) Switch on CPS1 by closing SWIN, BATTERY, SWBY and SWOUT and wait until the message “NORMAL OPERATION” is displayed.
- D) On the remaining units close the SWIN, SWBY and BATTERY.
- E) Confirm that all of the CPS in the parallel system are on.
- F) If only one battery system is to be connected  
 Confirm that on the second row of the display panel the “X” character is:  
 Example: “type CPS”, “X” OUT=YYY%VA, BATT=YYY%Ah, 5=ON(or OFF)  
 Note: For CPS where the “X” character is a capital B or P means that the unit is the master unit.  
 The “X” character on the master unit denotes:
- ❑ X = B, a capital B is displayed if the system has been configured for a parallel battery and the appropriate code has been entered and the total battery capacity has been set (see below).
  - ❑ X = P, a capital P is displayed if the system has individual battery packs connected, therefore if a parallel battery system is to be used the parallel battery code needs to be entered, to do this press key 3, followed by 5, and then enter the code 467123 (to disable the parallel function repeat the key sequence).
- This code only has to be entered into one of the CPS as the data link cable will automatically update the remaining units, once the code has been entered the display panels of the remaining units will display a lower case b or p meaning that these are the slave units.
- Only insert the value of the single battery capacity.** This operation is only required to be performed on the Master unit which will send the information through to the other systems automatically.
- G) Close the SWMB on CPS 1 and confirm that all of the CPS systems switch to bypass operation (the by-pass LED on CPS 1 will flash and on the remaining units the LED will light steady), open the SWMB and wait few seconds and confirm that CPS1 switches to “NORMAL OPERATION”.
- If all of the checks are successful close the SWOUT on all of the units.  
 Fit the locking device onto all of the SWMB switches to prevent unauthorised operation.
- H) Confirm that all of the CPS are reporting “NORMAL OPERATION”.
- I) One minute after the last CPS was switched on, confirm that with no load connected the output load on each CPS is  $< 3\% W$  or  $5\% VA$ .
- L) Once the load is connected to the output, confirm that the power shared between each CPS is within the range of  $\pm 2\%$ .

#### Testing the bypass operation

Connect a load to the output of the system, ensuring that each CPS indicates a load of greater than 5%.  
 Switch the CPS into bypass operation from the control panel by pressing key 3 followed by 6, and then by entering the bypass sequence 47263 as shown on the display panel. After a couple of seconds all of the CPS will switch to by-pass operation, whilst in bypass verify that the load percentage on each display panel is even to or less than 5%. Whilst operating on the by-pass supply the power being shared between the CPS will depend upon the length of the cables, therefore it is preferred to maintain identical cable lengths.  
 If it is discovered that the load is unbalance when operating on the bypass supply, the overall power of the system will have to be degraded. For example if the unbalance during by-pass is approximately 20%, then the maximum available power from the system will have to be reduced to 90% of the total nominal power.

### 13.1.4 Modes of operation

Multiple CPS connected in parallel to provide a high power capacity.  
 Within a system comprising of more than one CPS connected in parallel there is only ever one MASTER unit, with the remaining units operating as slaves.  
 The CPS are all identical, however at the initial switch on the system will automatically set one of the units as the MASTER, the MASTER unit can be recognised by the capital letter P (or capital letter B for CPS system with a shared battery) shown on the display panel, if required the MASTER and SLAVE units can be interchanged.  
 If one of the units fails and therefore can no longer supply power to the load, this unit will be automatically disconnected. In this situation the load is shared amongst the remaining operational units, however if the output load exceeds the capacity of these units all of them (including the failed unit) will switch to bypass operation to ensure that the power to the load remains connected. The following diagrams only show three units in parallel, however the information below also applies to more complex systems.



#### Closed loop connection and function

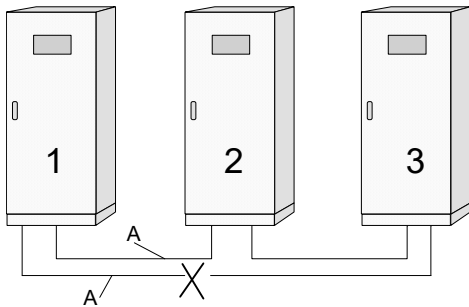
When all cables are intact the system will operate as follows:

- A CPS parallel cable (type RJ45)
- 1, 2, 3 CPS operating in parallel

#### CPS STATUS

- 1) Normal Operation, Master unit
- 2) Normal Operation, Slave unit
- 3) Normal Operation, Slave unit

Assuming now that the signal cable between the CPS 1 and 3 is damaged (*CPS parallel cable failure*), the system will operate as follows.

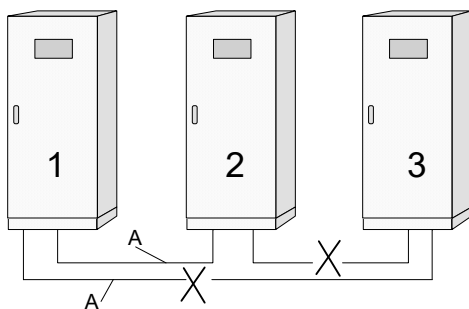


#### CPS STATUS

- 1) Normal Operation, Master unit with a panel message “Signal parallel cable fault”
- 2) Normal Operation, Slave unit with a panel message “Signal parallel cable fault”
- 3) Normal Operation, Slave unit with a panel message “Signal parallel cable fault”

Note: During this situation the load is supplied normally with all of the CPS systems delivering power to the load, even if the mains supply fails.

Assuming now that the signal cable between the CPS 1 - 3 and 2 - 3 is damaged (*CPS parallel cable failure*); the system will operate as follows.



#### CPS STATUS

- 1) Normal Operation, Master unit with a panel message “Signal parallel cable fault”
- 2) Normal Operation, Slave unit with a panel message “Signal parallel cable fault”
- 3) Disconnection mode (TLI open, SCR off), Slave unit with panel message “INTERNAL FAULT 10”

Note: During this situation the load is supplied normally but only by CPS 1 and 2.

Before restoring the broken signal cable it is necessary to switch off the CPS with panel message “INTERNAL FAULT 10”.

#### 13.1.4.1 ON LINE MODE

The most common method of operation is On line, when the systems are operating in the mode the message “NORMAL OPERATION” will be displayed on the display panel, on the bottom line of the display panel the letter P will be displayed (or the letter “B” for parallel batteries), this letter will be lower case for SLAVE units.

During this mode of operation the load will be equally shared between the connected units.

#### 13.1.4.2 STAND-BY ON MODE

When in STAND-BY ON mode the power shared between the units will depend upon the length of input and output cables connected to the systems, therefore to ensure an even power share always use cable of equal distance, for more information refer to the “connection” paragraph.

#### 13.1.4.3 STAND-BY OFF MODE

When in STAND-BY OFF mode the output from the system will only be activated when the incoming mains supply fails, therefore when the mains supply fails the load will be equally shared between the units.

#### 13.1.4.4 STABILISER MODE WITHOUT BATTERY

When in STABILISER mode the power is shared equally between the units, however if the incoming mains supply fails the output will be switched off.

#### 13.1.4.5 BATTERY MODE

##### **One battery pack for each CPS.**

During battery mode each CPS will draw power from its own connected battery when the incoming mains supply fails.

As each battery pack becomes depleted the connected CPS unit will automatically disconnect itself from the system and switch off.

If the mains supply failure exceeds the autonomy time of the battery pack the entire system will be switched off.

When the incoming mains supply returns the system will automatically restart, supply power to the load and recharge the battery.

**Only one battery for all the CPS.**

During battery mode each CPS will draw power from the common battery pack when the incoming mains supply fails. As the common battery pack becomes depleted the connected CPS units will switch off.

If the mains supply failure exceeds the autonomy time of the battery pack the entire system will be switched off.

When the incoming mains supply returns the system will automatically restart, supply power to the load and recharge the battery.

**13.1.4.6 OVERLOAD**

During an OVERLOAD condition the overload is shared equally between the units.

If the overload exceeds the specification of the CPS the system will be switched off.

If the overload condition is not reduced the entire system will switch onto the by-pass line.

Once the overload is reduced all of the units will automatically return to normal operation.

If the overload continues whilst on the bypass line the CPS bypass line input protection will blow. If this happens the power supplied to the load will be lost.

**13.1.4.7 BY-PASS FOR MAINTENANCE**

a) *Maintenance of the entire system*

**WARNING: THIS OPERATION MUST NOT BE CARRIED OUT**

If during normal operation the SWMB switch on one of the CPS units is switched on, all of the CPS units will switch onto their by-pass lines. If at this point all of the CPS are switched off in order to carry out maintenance, the total connected load will pass through the maintenance BY-PASS LINE of the unit with the SWMB switch closed.

**WARNING: Both the maintenance and by-pass lines of each CPS units are sized in accordance with the nominal power rating for the individual unit.**

**In order to carry out maintenance on the entire system it is necessary to close all of the SWMB switches on all of the CPS units.**

In order to carry out maintenance on the entire system it is necessary to:

- close all of the SWMB switches on all of the CPS units
- open all of the SWIN, SWBY, SWOUT and BATTERY switches on all of the CPS units

When all of the SWMB switches are closed the power shared between the units will depend upon the length of input and output cables connected to the systems, therefore to ensure an even power share always use cable of equal distance.

b) *Maintenance of a single unit*

In order to carry out maintenance on a single unit it is necessary to:

- open the SWOUT, SWIN, SWBY and BATTERY switches on the CPS to be maintained

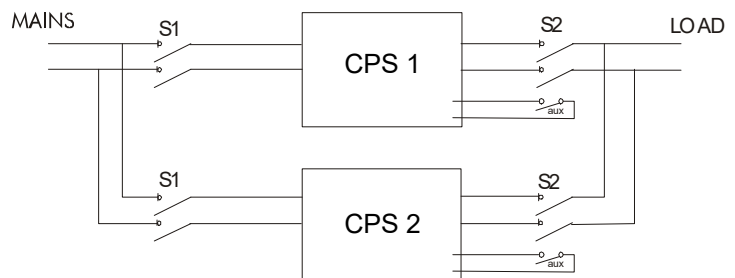
If the remaining units can supply the load then the system will remain in normal operation with the load being shared equally between them. During this time the excluded CPS can be maintained.

Once the maintenance is completed in order to return the CPS to the system close the SWIN, SWBY, SWOUT and BATTERY switches, after a short period the CPS will automatically switch itself back into circuit and continue sharing the load.

**13.1.4.8 Additional sectioning**

If it is necessary to have the capability to remove a CPS unit from the circuit without causing disruption to the connected load, this is possible by connecting additional isolation devices to both the input and outputs of the CPS units in parallel (see below). This connection method enables a single CPS module to be removed without the need for the entire system to be switched to bypass, refer to the “hot disconnection” paragraph latter in this manual.

- MAINS) Incoming mains supply
- LOAD) Connected load
- S1) Input switch.
- S2) Output switch.
- AUX) S2 output switch auxiliary.
- 1, 2) CPS units in parallel



If circuit breakers are to be used the positions 1 and 2 adhere to the following:

- Switch S1 is only opened if the corresponding CPS is switched off.
- Switch S2 must be provided with an auxiliary contact (open with the switch open and closed with the switch closed), this is electrically connected in series with the auxiliary contact present on the SWOUT switch of the CPS.

### 13.1.4.9 CPS hot addition/remove

Hot addition/remove are possible only if the signal loop cable system is configured with the **RJ45 female/RJ45 female shielded adapter** (as shown below).

The CPS hot addition/remove method, improves the system serviceability and reliability.

Using hot insertion and disconnection there is no need to switch off all of the CPS, if another CPS is to be added to the parallel system. Hot insertion and disconnection are only applicable to CPS systems with the following characteristics:

- The electrical system is prepared to accept an additional CPS unit.
- The CPS unit is prepared with the **RJ45 female/RJ45 female shielded adapter** (not supplied with the CPS).
- All of the CPS in the system have the same firmware version.
- The labels UPS1, UPS2, UPS3 in the pictures must be considered as: CPS1, CPS2, CPS3.

#### Example of Hot addition

**A** CPS parallel cable  
**B** RJ45 female/RJ45 female shielded adapter

Step I & II Position the new CPS and leave it switched off.  
 On CPS3: change SW1 to the Cont position .

Step III Remove the **RJ45 female/RJ45 female shielded adapter** from between the two CPS parallel cables type RJ45. Connect the CPS parallel cables to the new CPS.  
 Turn on the new CPS (CPS3)  
 Finally verify that SW1 is in the Start position (bottom position and led on) only on one CPS, and that on all of the other CPS the SW1 is in the Cont position (upper position and led off).  
 Confirm that all of the CPS are reporting normal operation and that the system output power is being shared.

#### Example of hot remove

Using the hot remove there is no need to switch off all of the CPS, if one of the CPS is to be removed.

**A** CPS parallel cable  
**B** RJ45 female/RJ45 female shielded adapter

NOTE: if the CPS to be removed has the SW1 switch in the START position (bottom position with led on) it is necessary to switch the SW1 to the START position on any of the remaining units (CPS1 or CPS2).  
**At least one CPS must have the SW1 switch in the START position and led on within the parallel system.**

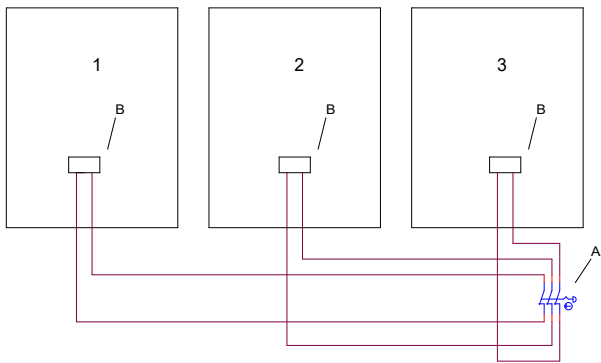
Step I Turn off the CPS to be removed (CPS 3). Remove the cables that connect the CPS to the system.

Steps II & III Connect the RJ45 female/RJ45 female shielded adapter (not supplied) between wires A.

Confirm that the remaining units are showing normal operation and that they are equally sharing the load

### 13.1.5 Emergency power off (epo) connection

To connect an EPO switching device to the entire system, refer the drawing below (3 CPS example):



A) EPO switch (refer to the “REMOTE CONTROL & SIGNALS” section earlier in this manual status to determine the relevant connection pins)

B) EPO connector

1,2,3) CPS in parallel